

APPLICATIONS FOR

SEEKURE®

As Surface Protection or Under Wood Floors

THE DETAILS SHOWN HERE REFER TO GENERALLY ACCEPTED INSTALLATION PRACTICES

Seekure is used extensively as protection on top of finished hard surface floors or carpets. It protects finished floors from scratches, scuffs, dirt and spills by other construction trades and walk-through traffic. The product provides greater strength and higher water resistance than common red rosin or thin construction paper, so there is more protection against damaging job site abuse.

Seekure meets IBC and IRC as a Class III membrane and is an NWFA accepted vapor retarder. It is a good choice as a vapor retarder under mechanically-attached hardwood floors over a radiant heat wood substrate, and can be used with radiant heat. It is odorless; therefore it is ideal when the radiant heat system is turned on. It is also fiberglass reinforced for greater durability during installation.

SURFACE PROTECTION APPLICATIONS

All stains or finishes and/or sub-floor must be dry and thoroughly cured to finish manufacturer's recommendation. **Seekure** should be unrolled over the entire surface area to be protected. Choose the widest possible roll width for fastest application over large surface areas. If loose laid, rolls should be overlapped a

minimum of 4 inches. If seams are sealed, **Seekure** may be butted, or overlapped slightly 1-2 inches, and seams must be sealed with moisture resistant, permeable, 2-3 inch wide, smooth not wrinkled, **FortiBoard™ Tape**. Tape seam only; tape may leave residue on finished surfaces.

HARDWOOD FLOORS

Under wood floors, **Seekure** serves as a Class III moisture and vapor retarder. It serves to reduce or prevent damage by moisture migration from below the floor system – allowing the wood flooring to acclimate gradually. As a semi-permeable material, **Seekure** is not likely to trap moisture on top of or within the sub-floor – as a poly-coated paper or poly film would.

This application guide provides examples of typical wood flooring installations using **Seekure**. The descriptions are brief and do not cover all circumstances that the installer may encounter during installation. It is the responsibility of the installer to read and follow NWFA Guidelines, local building codes and the flooring manufacturer's complete instructions for proper installation of their flooring. **Seekure** may be used in applications over a wood or concrete sub-floor.

JOBSITE CONDITIONS

- Building must be completely enclosed.
- Site drainage directs water away from the foundation.
- All other interior work should be completed.
- Interior environmental conditions must be at occupied levels.
- Basements and crawl spaces must be dry.
- Test flooring and sub-floor for moisture content.
- Acclimate flooring per manufacturer's recommendation.

SUB-FLOOR PREPARATION

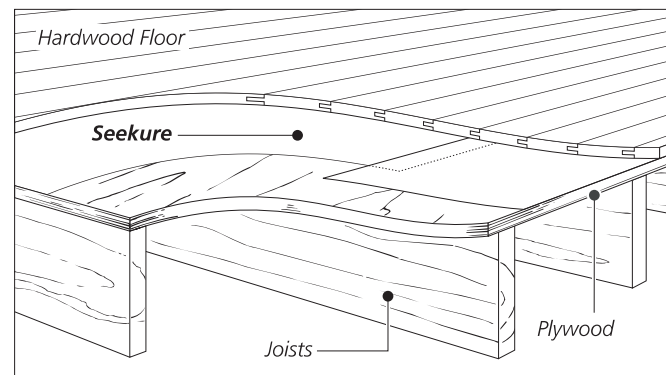
- All surface debris and protrusions must be removed.
- Check sub-floor for squeaks and repair.
- Sweep and vacuum prior to filling or repairing voids.
- Fill voids and level high spots, sweep again.

WOOD SUB-FLOORS – NAILED

Always read and follow floor manufacturer's installation instructions. For installations over wood joist construction be sure, if above a crawl space, the ground is covered by a Class I vapor barrier with a perm rating of ≤ 0.04 , such as Fortifiber's **Moistop Ultra®** family of vapor barriers, and crawl space is properly ventilated.

Cut **Seekure** to length and position over sub-floor as needed for proper coverage. Overlap all seams a minimum of 4 inches; do not tape. **Seekure** may be loose-laid or stapled over sub-floor. Once **Seekure** is installed, snap chalk lines to desired layout.

NAILED OVER JOIST & SHEATHING



CONTINUED ON BACK...

HARDWOOD FLOORS CONTINUED

CONCRETE SUB-FLOORS – FLOATED & NAILED

For on-grade slabs, the following conditions must be met:

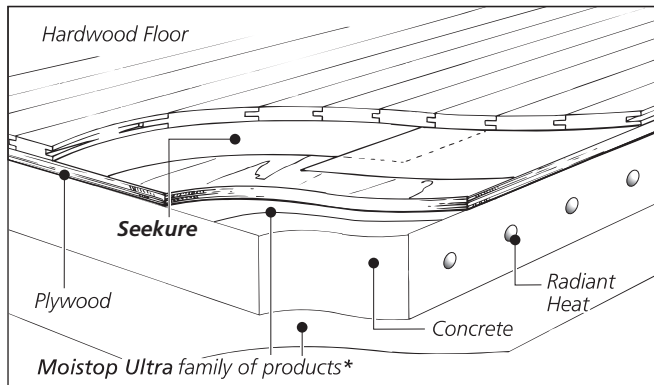
- An underslab vapor retarder has been properly installed, such as Fortifiber's **Moistop Ultra** family of products.
- The slab is thoroughly dry before installation of wood flooring. Generally, slabs must be 60 days old. Test for moisture, following flooring manufacturer's recommendations.
- To be certain normal slab moisture does not reach the wood flooring, install a vapor retarder with a perm rating of ≤ 0.04 – such as Fortifiber's **Moistop Ultra** – over the slab.

Then follow wood floor manufacturer's or NWFA's recommendation for placement of plywood. Cut and install **Seekure** over plywood as instructed on previous page.

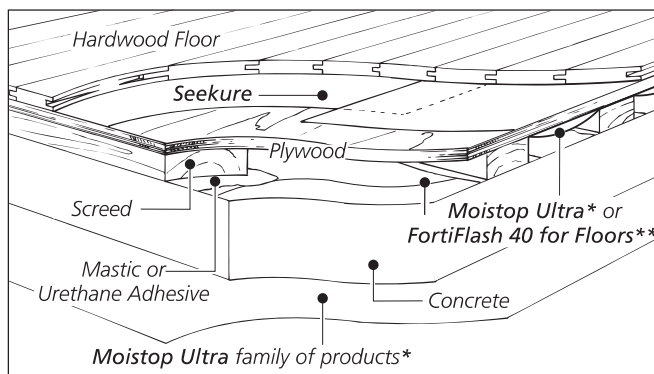
CONCRETE SUB-FLOORS – SCREED SYSTEM

Install flat, dry, preservative treated 2x4s, cut 18-24" long, laid flat at right angles to finished floor, spaced 12" o.c. and embed in adhesive. Then lay a vapor retarder with a perm rating of ≤ 0.04 over screeds, or use **FortiFlash® 40 for Floors** under screeds. Install plywood and cover with **Seekure** as above.

FLOATED / NAILED PLYWOOD OVER CONCRETE WITH/WITHOUT RADIANT HEAT*



SCREED SYSTEM OVER CONCRETE



*The **Moistop Ultra®** family of Class I vapor retarders are critical for Wood and Tile floors placed over concrete slabs.

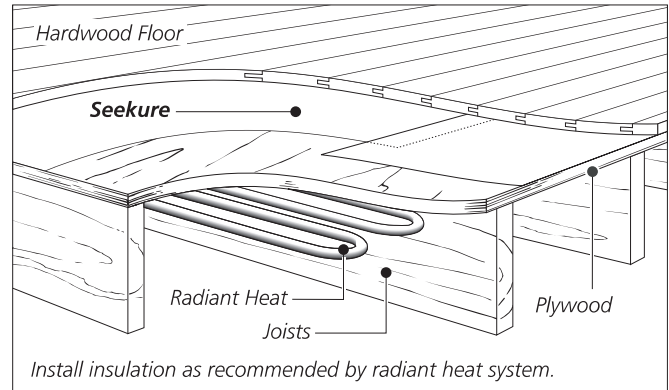
** See **FortiFlash® 40 for Floors** installation guide or warranty for details.

*RADIANT HEAT

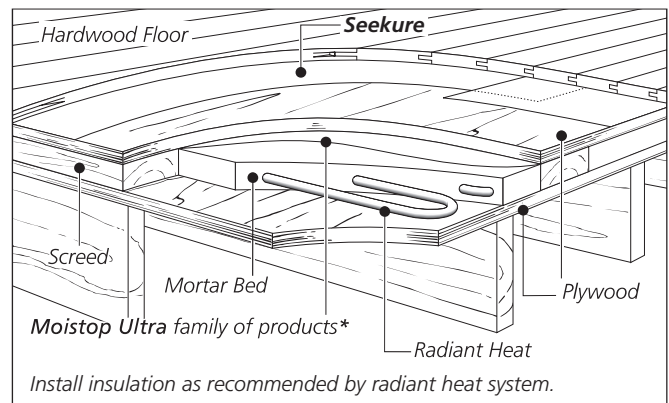
There are various methods of installing radiant heat with wood or concrete sub-floors. These are only a sampling of illustrations.

Follow all installation requirements of radiant heat and flooring manufacturer. When installing flooring over a radiant heat system, be sure fasteners do not penetrate or puncture the radiant heat system. Surface temperature of substrate is limited to $\leq 85^\circ\text{F}$.

NAILED OVER JOIST & SHEATHING WITH RADIANT HEAT



SCREED SYSTEM OVER PLYWOOD USING RADIANT HEAT



LIMITATIONS: **Seekure** finished floor protection and vapor retarder is not a vapor barrier or a waterproof membrane and should not be used in waterproofing assemblies where a moisture or vapor barrier is specified. Do not leave exposed to direct moisture contact or use in areas that are soaked or saturated for extended periods of time, such as gang showers, saunas, steam rooms, pools, hot tubs and exterior areas. Not recommended for use in exterior wall assemblies. Properly prepared walls, sub-floors or jobsite conditions and proper installation of flooring are the responsibility of the installer.



Call 1-800-773-4777 Nationwide for Technical Assistance or visit our website at www.fortifiber.com



Fortifiber Building Systems Group®

Protecting Your World from the Elements®
NATIONAL SALES OFFICE – Fernley, NV