

HEAVY DUTY, REINFORCED

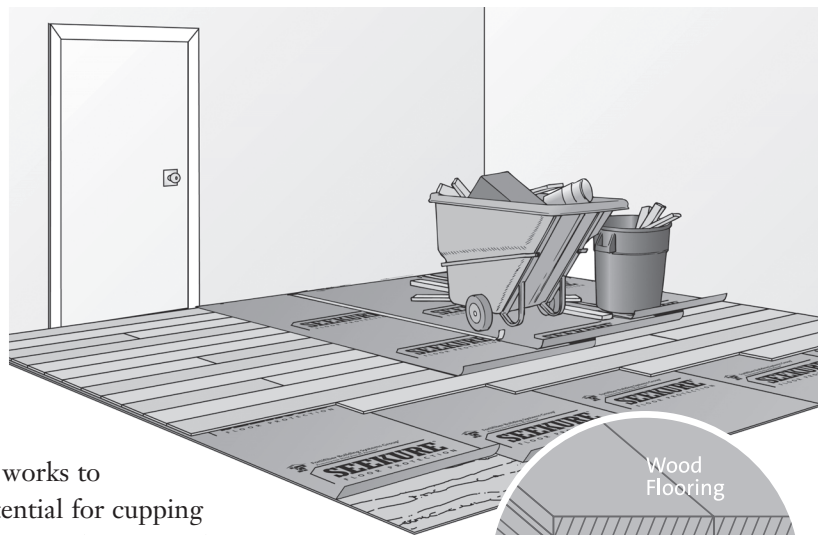
# SEEKURE®

FINISHED FLOOR PROTECTION & VAPOR RETARDER

Fortifiber Building Systems Group® multi-purpose Seekure Finished Floor Protection and Vapor Retarder is designed as protection over finished surfaces, walls or floors, as a vapor retarder under wood floors, and can be used with radiant heat.

## Vapor Retarder under Wood Floors

Under nail down wood floors, Seekure is an excellent choice as a Class III vapor retarder over wood sub-floors — even over a radiant heat



“*Seekure provides greater strength and higher water resistance than common red rosin or thin construction paper.*”

installation. It works to reduce the potential for cupping over a crawl space or basement during short periods of high moisture conditions. The product may also reduce the potential for gapping which occurs as wood naturally dries out and shrinks in the winter, or when radiant heat is used under wood floors.

*Seekure protects wood flooring from water vapor in wood flooring installations.*

Seekure passed CA 01350 with no detectable VOCs. Reinforcing fibers virtually eliminate tearing during installation of wood flooring. The product exceeds rigid National Wood Flooring Association product guidelines as a vapor retarder in nail-down wood floor installations.

## Finished Floor Protection

Seekure is used extensively as protection on top of finished floors such as carpet, ceramic, stone or wood, countertops or other surfaces. Seekure's fiberglass reinforcement provides “rip-stop” protection to limit tearing. The product protects surfaces from moisture spills, while allowing moisture vapor to dissipate and not trap moisture like poly film. The product provides greater strength and minimum 2 hour water holdout than common thin construction paper with only 2 - 4 minutes of water holdout, so there is more protection against damaging job site abuse. Seekure is often used as a general purpose protection paper for materials in transit or storage.

Fortifiber offers a full line of surface protection products including premium FortiBoard, Seekure, and Utility and Red Rosin Papers. FortiBoard Tape, a permeable seaming tape, is now available for use with all of Fortifiber's surface protection products.

- PASSED CA 01350 WITH NO DETECTABLE VOC
- VAPOR RETARDER UNDER HARDWOOD FLOORS
- RECOMMENDED FOR USE OVER RADIANT HEAT
- WILL NOT TRAP MOISTURE
- PROTECTS SURFACES FROM SPILLS



## Decades of Proven Performance

Seekure is a product manufactured by the Fortifiber Building Systems Group. With more than a seventy-five year history of proven performance, technical expertise and practical know-how, the company has become a trusted partner to builders, remodelers, architects and code officials.

**Product Description:** Seekure Finished Floor Protection and Vapor Retarder is made with two layers of kraft paper, laminated with a non-staining adhesive, reinforced in three directions with heavy fiberglass strands to resist moisture, punctures, tears and abrasion. Made in the USA from minimum 50% recycled kraft paper.

**Applicable Standards:** Meets the International Building Code and International Residential Code as a Class III vapor retarder. Exceeds Federal Specification UU-B-790a, Type II, Grade E, Style 11 Reinforced Water Resistant.

American Society for Testing Materials (ASTM):

- ASTM D-689 Standard Test Methods for Internal Tearing Resistance of Paper
- ASTM D-779 Water Resistance of Materials
- ASTM E-96 Method A Water Vapor Transmission of Materials
- CA 01350 California Indoor VOC Requirements

**Storage:** Store product in a dry, clean environment free from excessive heat or cold.

**Roll Size:** Seekure is available in a 3' x 100' residential size roll or commercial size rolls 3', 4', 6' and 8' wide by 300 lineal feet.

**Surface Protection:** Seekure is ideal over carpet. It will not trap dirt like tacky poly, and is recommended by many carpet manufacturers. It offers water holdout and rip stop protection for carpet and all hard surfaces. It breathes and will not trap moisture or condensation like plastic, thereby avoiding moisture stains.

**Vapor Retarder under Wood Floors:** Seekure is an excellent vapor retarder for use in wood flooring installations and is ideal for use with radiant heat systems. See our *Applications for Wood Floors and Radiant Heat* for complete details.

**Limitations:** Seekure Floor Protection and Vapor Retarder Paper is NOT a waterproof membrane and should not be used in waterproofing assemblies or where a waterproof membrane is specified. Do NOT use in high moisture or steam areas where a waterproof membrane is specified. Improperly prepared sub-floors or job site conditions and proper installation of flooring and other surface materials are the responsibility of the installer. Seekure does not guarantee to eliminate moisture related problems. It serves to reduce the potential for, and extent of, moisture problems when properly installed.

Where concrete floors are to be stained or sealed as an exposed finished surface; be sure the concrete is thoroughly dry before applying Seekure. Condensation or telegraphing of scrim reinforcement may occur if the concrete substrate is emitting a high level of moisture vapor. Check for slab moisture levels using an appropriate method. Generally, a concrete moisture emission level above 3 lbs/1,000 sq.ft. in 24 hours is considered too high for installation of wood or tile flooring, and a vapor barrier must then be installed.

**Warranty:** Fortifiber Corporation warrants that its products are in compliance with their published specifications and are free from defects in materials and workmanship for a period of two years from the date of purchase. This warranty does not apply to loss due to abuse. Material found to be defective will be replaced at no charge by Fortifiber, but in no event shall Fortifiber be liable for any other costs or damages, including any labor costs.

THIS EXPRESS WARRANTY IS GIVEN IN LIEU OF AND EXCLUDES ALL OTHER EXPRESS OR IMPLIED WARRANTIES, INCLUDING BUT NOT LIMITED TO THE IMPLIED WARRANTIES OF MERCHANTABILITY AND FITNESS FOR A PARTICULAR PURPOSE. Fortifiber's sole obligations under this warranty are as set forth herein. In no event shall Fortifiber be liable for any lost revenue or profits, direct, indirect, special, incidental or consequential damages of any kind.

**SPECIFICATION SUMMARY:** Provides wood flooring protection from moisture vapor and protects finished surfaces.

**FINISHED FLOOR PROTECTION & VAPOR RETARDER:** Fortifiber/Seekure laminated kraft paper with heavy duty fiberglass reinforcement.

**REFERENCE SPECIFICATION:** Federal Specification UU-B-790a, Type II, Grade E, Style 11 Reinforced Water Resistant

Table 1- Physical Properties

CHARACTERISTIC	TEST METHOD	SEEKURE	INDUSTRY STANDARD
Water Vapor Transmission	ASTM E-96	2.0 perms	0.7 ≤ 10 perms*
Tear Strength	ASTM D-689	0.9 lb.f CD or MD	>0.44 lb.f min.
Water Resistance	D-779	2 hours min.	Not Established
VOC	CA 01350	Passed: Below Detectable Limits	Not Established

\*NWFA Guidelines ©2007



buildingproducts@fortifiber.com | 1-800-773-4777  
www.fortifiber.com

Designated trademarks (® and TM) are owned by Henry Company LLC and/or Fortifiber LLC, a subsidiary company of Henry Company LLC.



**Building Envelope Systems®**  
Roofing | Air Barrier | Waterproofing

productsupport@henry.com | 1-800-486-1278  
www.henry.com

©2018 Henry Company. All rights reserved.

## APPLICATIONS FOR

# SEEKURE®

## As Surface Protection or Under Wood Floors

THE DETAILS SHOWN HERE REFER TO GENERALLY ACCEPTED INSTALLATION PRACTICES

**Seekure** is used extensively as protection on top of finished hard surface floors or carpets. It protects finished floors from scratches, scuffs, dirt and spills by other construction trades and walk-through traffic. The product provides greater strength and higher water resistance than common red rosin or thin construction paper, so there is more protection against damaging job site abuse.

**Seekure** meets IBC and IRC as a Class III membrane and vapor retarder. It is a good choice as a vapor retarder under mechanically-attached hardwood floors over a radiant heat wood substrate, and can be used with radiant heat. It is odorless; therefore it is ideal when the radiant heat system is turned on. It is also fiberglass reinforced for greater durability during installation. Seekure meets California's stringent indoor air requirements & passes CA 01350.

## SURFACE PROTECTION APPLICATIONS

All stains or finishes and/or sub-floor must be dry and thoroughly cured to finish manufacturer's recommendation. Seekure should be unrolled over the entire surface area to be protected. Choose the widest possible roll width for fastest application over large surface areas. If loose laid, rolls should be overlapped a minimum of 4 inches.

If seams are sealed, Seekure may be butted, or overlapped slightly 1-2 inches, and seams must be sealed with moisture resistant, permeable, 2-3 inch wide, smooth not wrinkled, **FortiBoard™ Tape**. **Tape** seam only; tape may leave residue on finished surfaces. Do not tape to finished wood floors.

## HARDWOOD FLOORS

Under wood floors, **Seekure** serves as a Class III moisture and vapor retarder. It serves to reduce or prevent damage by moisture migration from below the floor system – allowing the wood flooring to acclimate gradually. As a semi-permeable material, **Seekure** is not likely to trap moisture on top of or within the sub-floor – as a poly-coated paper or poly film would.

This application guide provides examples of typical wood flooring installations using **Seekure**. The descriptions are brief and do not cover all circumstances that the installer may encounter during installation. It is the responsibility of the installer to read and follow NWFA Guidelines, local building codes and the flooring manufacturer's complete instructions for proper installation of their flooring. Seekure may be used in applications over a wood or concrete sub-floor.

### JOBSITE CONDITIONS

- Building must be completely enclosed.
- Site drainage directs water away from the foundation.
- All other interior work should be completed.
- Interior environmental conditions must be at occupied levels.
- Basements and crawl spaces must be dry.
- Test flooring and sub-floor for moisture content.
- Acclimate flooring per manufacturer's recommendation.

### SUB-FLOOR PREPARATION

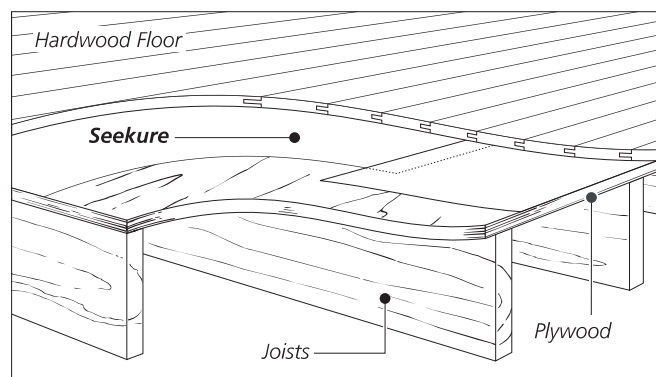
- All surface debris and protrusions must be removed.
- Check sub-floor for squeaks and repair.
- Sweep and vacuum prior to filling or repairing voids.
- Fill voids and level high spots, sweep again.

### WOOD SUB-FLOORS – NAILED

Always read and follow floor manufacturer's installation instructions. For installations over wood joist construction be sure, if above a crawl space, the ground is covered by a Class I vapor barrier with a perm rating of  $\leq 0.04$ , such as Fortifiber's **Moistop Ultra®** family of vapor barriers, and crawl space is properly ventilated.

Cut **Seekure** to length and position over sub-floor as needed for proper coverage. Overlap all seams a minimum of 4 inches; do not tape. Seekure may be loose-laid or stapled over sub-floor. Once **Seekure** is installed, snap chalk lines to desired layout.

### NAILED OVER JOIST & SHEATHING



**CONTINUED ON BACK...**

# HARDWOOD FLOORS CONTINUED

## CONCRETE SUB-FLOORS – FLOATED & NAILED

For on-grade slabs, the following conditions must be met:

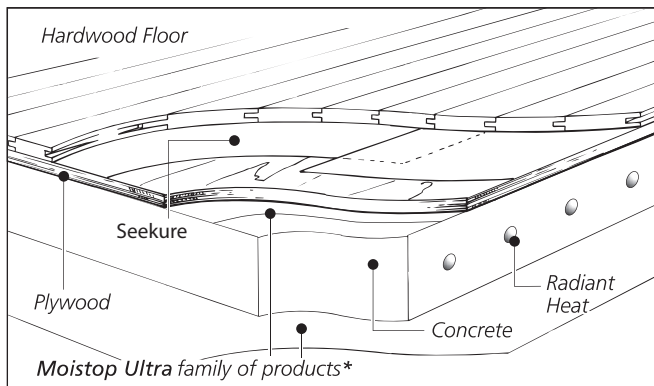
- An underslab vapor retarder has been properly installed, such as Fortifiber's **Moistop Ultra** family of products.
- The slab is thoroughly dry before installation of wood flooring. Generally, slabs must be 60 days old. Test for moisture, following flooring manufacturer's recommendations.
- To be certain normal slab moisture does not reach the wood flooring, install a vapor retarder with a perm rating of  $\leq 0.04$  – such as Fortifiber's **Moistop Ultra** – over the slab.

Then follow wood floor manufacturer's or NFWA's recommendation for placement of plywood. Cut and install **Seekure** over plywood as instructed on previous page.

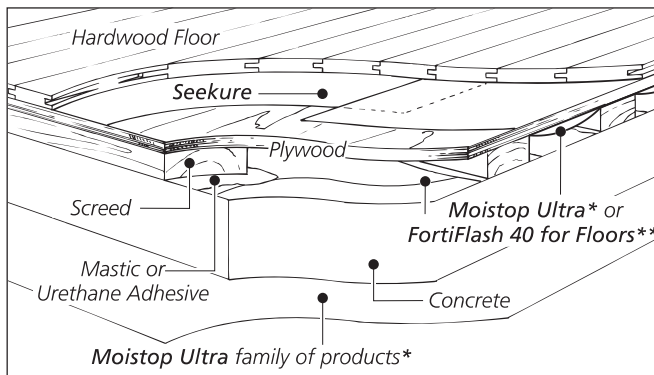
## CONCRETE SUB-FLOORS – SCREED SYSTEM

Install flat, dry, preservative treated 2x4s, cut 18-24" long, laid flat at right angles to finished floor, spaced 12" o.c. and embed in adhesive. Then lay a vapor retarder with a perm rating of  $\leq 0.04$  over screeds, or use **Fortiflash® 40 for Floors** under screeds. Install plywood and cover with **Seekure** as above.

## FLOATED / NAILED PLYWOOD OVER CONCRETE WITH/WITHOUT RADIANT HEAT\*



## SCREED SYSTEM OVER CONCRETE



**\*The Moistop Ultra® family of Class I vapor retarders are critical for Wood and Tile floors placed over concrete slabs.**

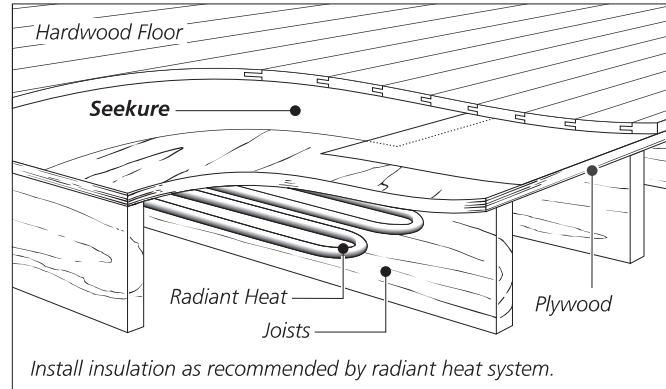
**\*\* See FortiFlash® 40 for Floors installation guide or warranty for details.**

## \*RADIANT HEAT

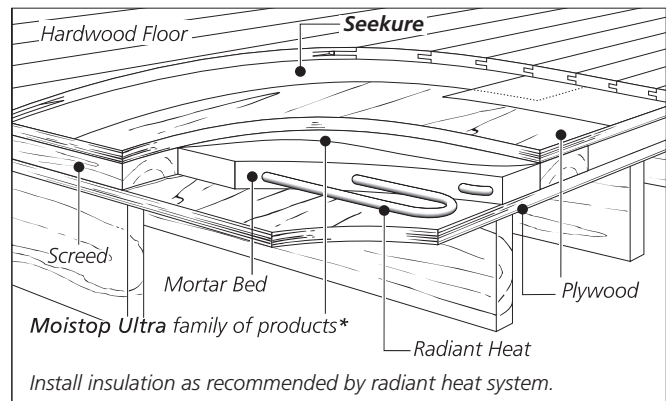
There are various methods of installing radiant heat with wood or concrete sub-floors. These are only a sampling of illustrations.

Follow all installation requirements of radiant heat and flooring manufacturer. When installing flooring over a radiant heat system, be sure fasteners do not penetrate or puncture the radiant heat system. Surface temperature of substrate is limited to  $\leq 85^\circ\text{F}$ .

## NAILED OVER JOIST & SHEATHING WITH RADIANT HEAT



## SCREED SYSTEM OVER PLYWOOD USING RADIANT HEAT



**LIMITATIONS:** **Seekure** finished floor protection and vapor retarder is not a vapor barrier or a waterproof membrane and should not be used in waterproofing assemblies where a moisture or vapor barrier is specified. Do not leave exposed to direct moisture contact or use in areas that are soaked or saturated for extended periods of time, such as gang showers, saunas, steam rooms, pools, hot tubs and exterior areas. Not recommended for use in exterior wall assemblies. Properly prepared walls, sub-floors or jobsite conditions and proper installation of flooring are the responsibility of the installer.

**Call 1-800-773-4777 Nationwide for Technical Assistance or visit our website at [www.fortifiber.com](http://www.fortifiber.com)**



**Fortifiber Building Systems Group®**

*Protecting Your World from the Elements®*

NATIONAL SALES OFFICE – Fernley, NV